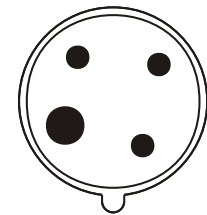
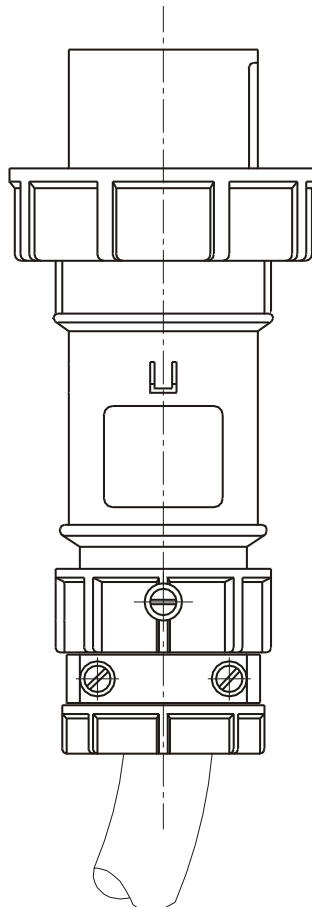
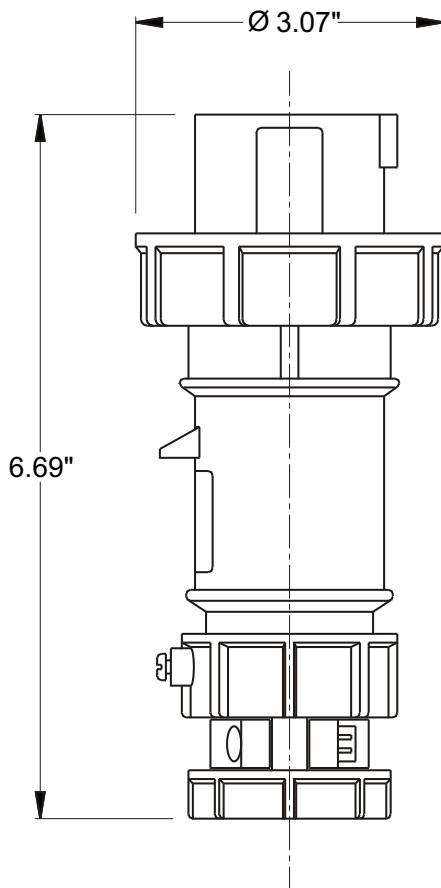


PLUG, IN-LINE

Part No.	ME 420P5W
Description:	20 Amp 3 600Vac 3 Pole, 4 Wire Plug
Construction:	Watertight IEC IP 67
Approvals:	UL Listed Standards 1682; 1686 CSA Certification to Spec. C22.2 No. 182.1 IEC 60309-1; IEC 60309-2

IEC COLOR CODE: Black

GROUND SOCKET: 7 Hour Position Mates with Female in 5 Hour Position.



Front View of Plug

Wire Range: #10 - #14 AWG
Cord Range: .36" - .76"
Threaded Cable Entry: 3/4" NPT

Drawing Not to Scale